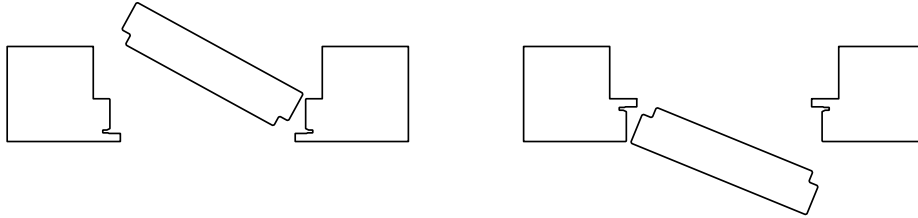


# ULTRA FLUSH HINGED FRAME ASSEMBLY

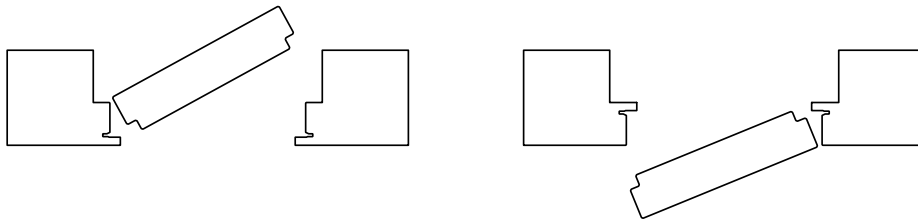
## PUSH RIGHT / PULL LEFT

Go to page 3



## PUSH LEFT / PULL RIGHT

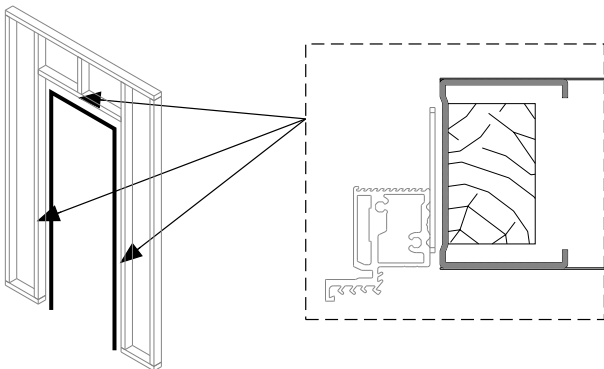
Go to page 4



Check components list on page 2

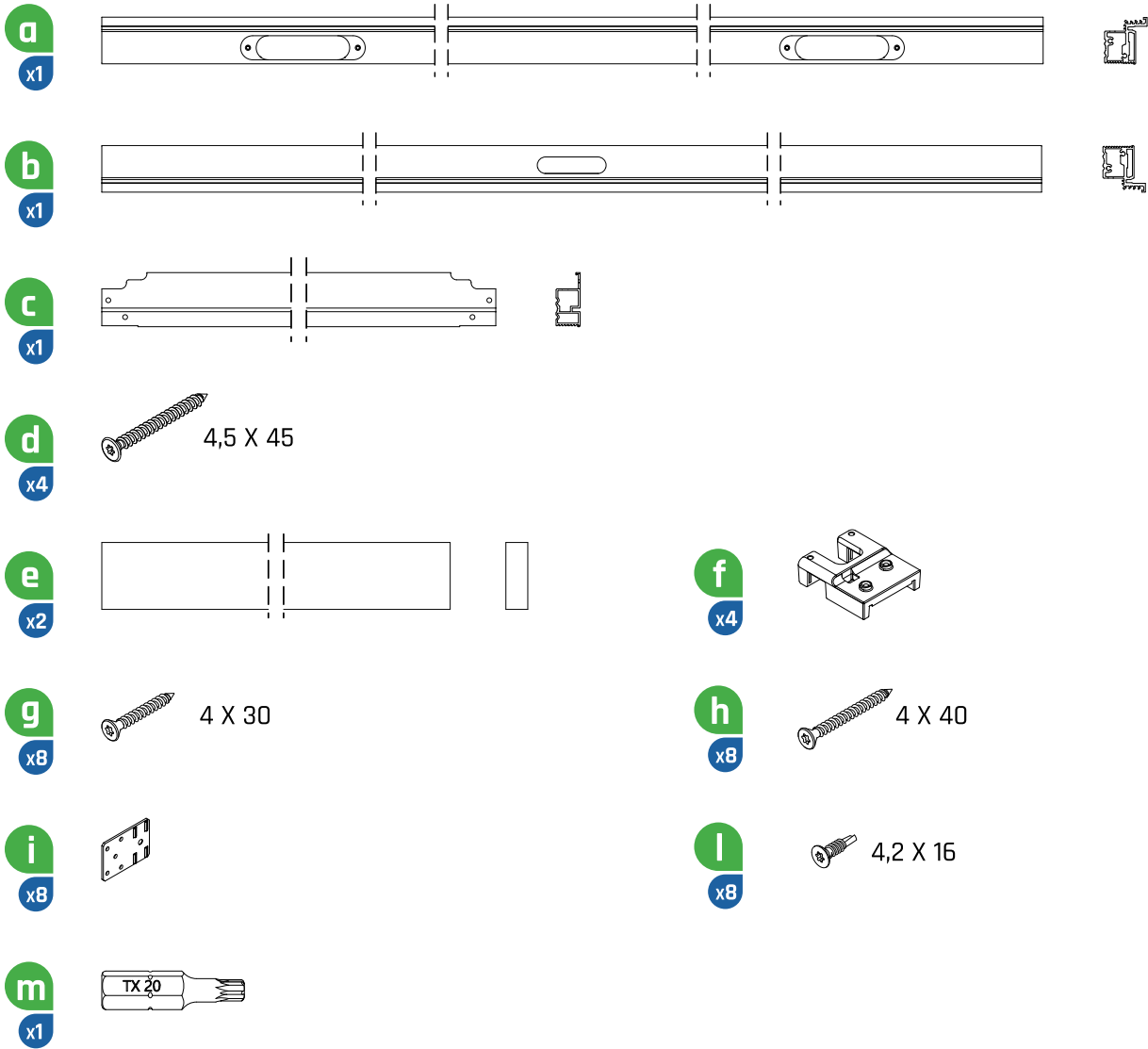
| TIMBER AND STEEL STUD |      |      |      | MASONRY WALL  |
|-----------------------|------|------|------|---|
| DW                    | DH   | W    | H    |   |
| 610                   | 1981 | 684  | 2011 | <p>TO INSTALL IN MASONRY WALL ADD A 30 MM TIMBER AROUND THE OPENING</p> |
| 686                   | 1981 | 760  | 2011 |   |
| 762                   | 1981 | 836  | 2011 |   |
| 838                   | 1981 | 912  | 2011 |   |
| 726                   | 2040 | 800  | 2070 |   |
| 826                   | 2040 | 900  | 2070 |   |
| 926                   | 2040 | 1000 | 2070 |   |

Suitable for 44 mm doors

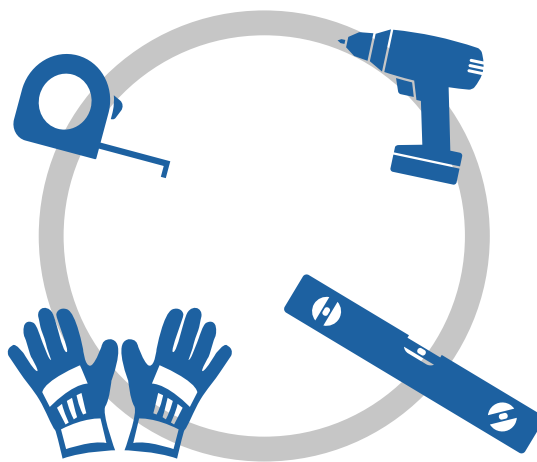


**ATTENTION:**  
When using metal stud, reinforce the studwork by adding timber

## COMPONENTS



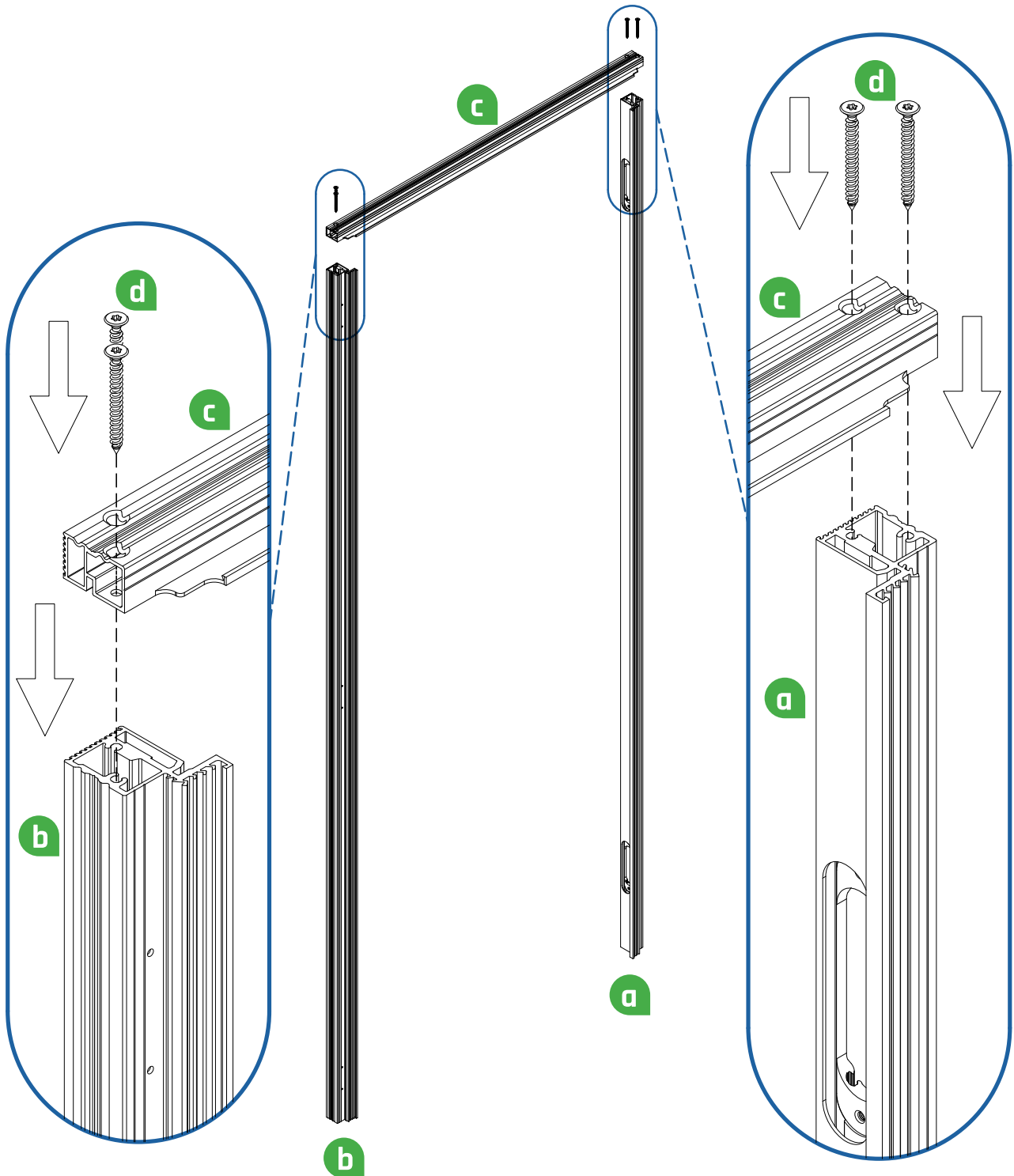
## TOOLS REQUIRED



If you follow carefully these instructions for the assembly and installation process your life will be easier! A pair of tressles are very useful when assembling the frames. Some parts may have sharp edges so use gloves and be careful when handling the parts. All Rocket Door frames products are fully inspected and tested before they leave the factory.

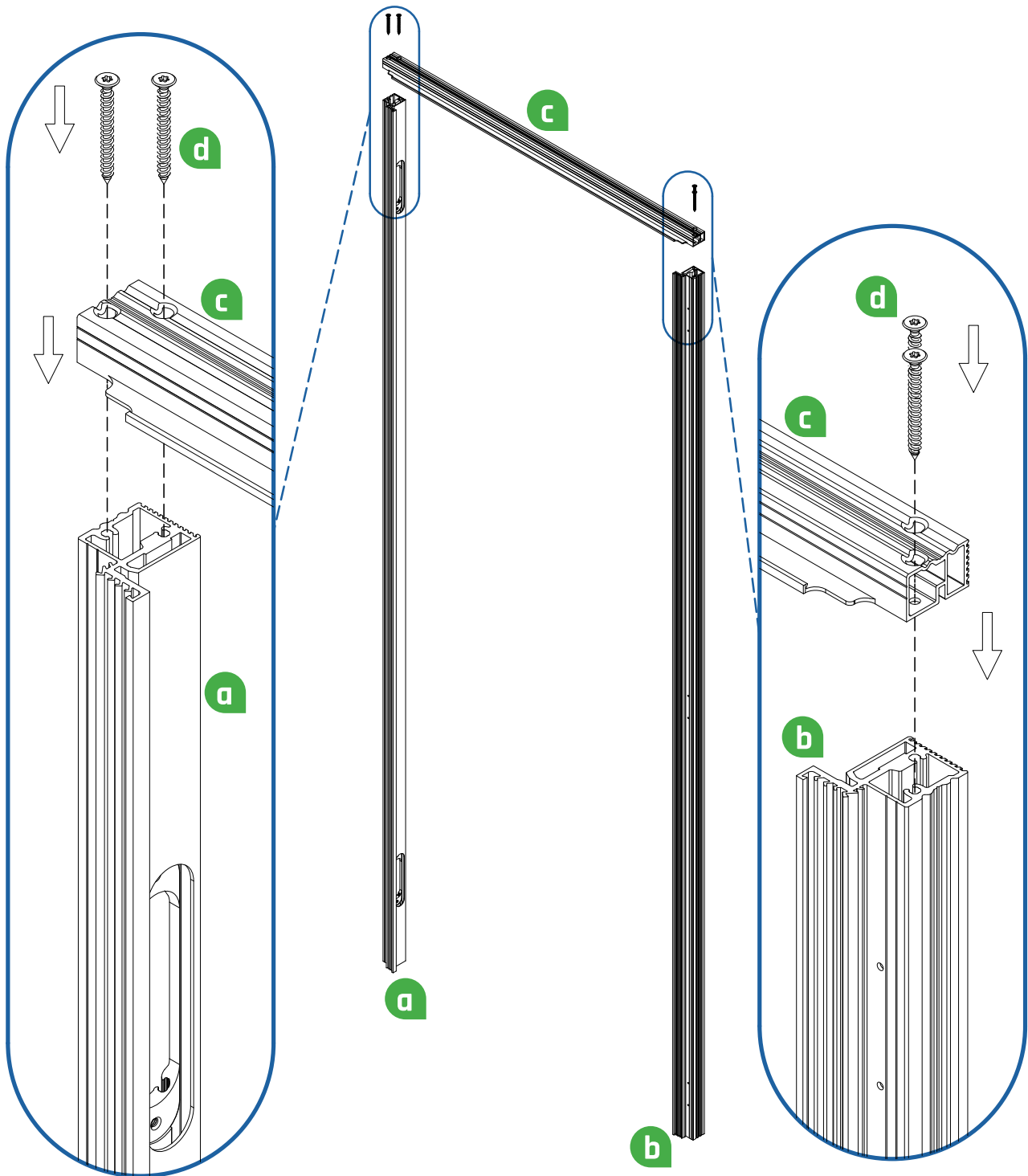
Join the two verticals (a+b) with the horizontal (c), taking note of where the hinge cut out are positioned like shown below. Use the supplied screw bit (m) to fix the screws (d) into the top of (c)

**PUSH RIGHT / PULL LEFT**

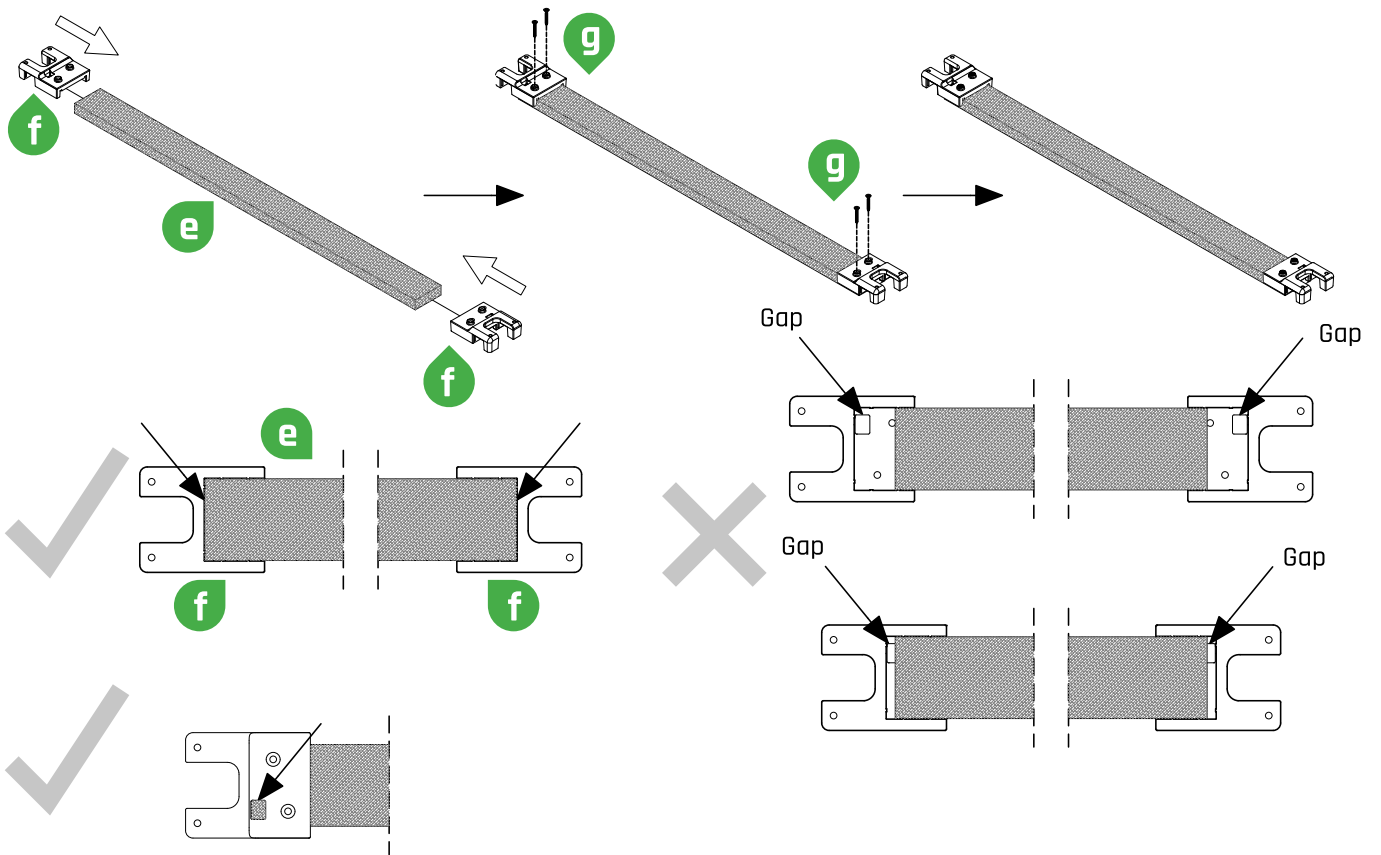


Join the two verticals (a+b) with the horizontal (c), taking note of where the hinge cut out are positioned like shown below. Use the supplied screw bit (m) to fix the screws (d) into the top of (c)

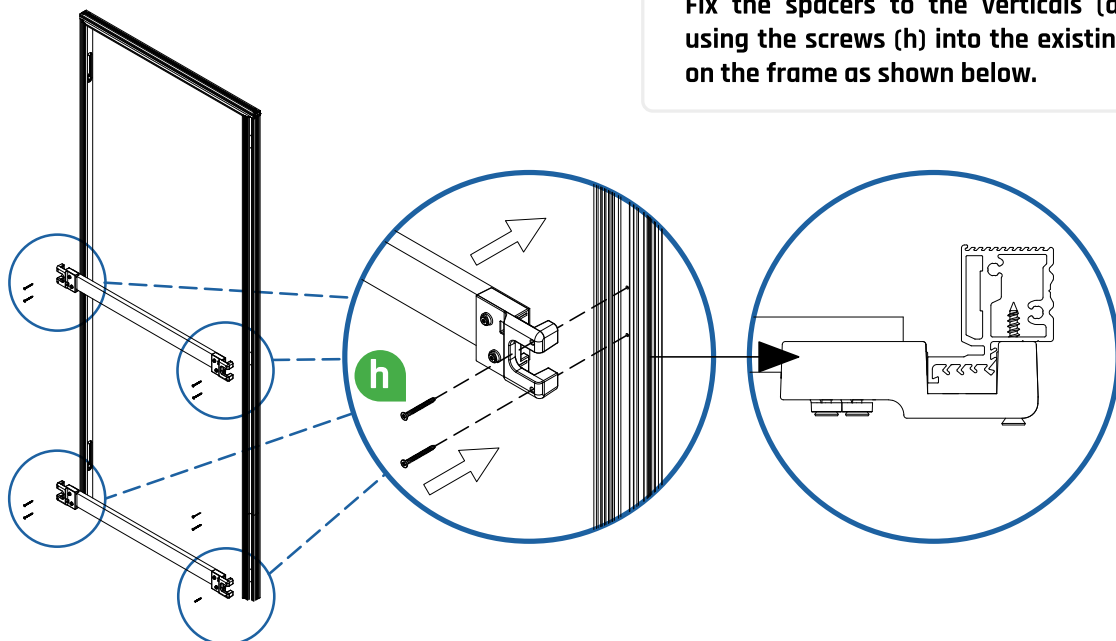
PUSH LEFT / PULL RIGHT



Join the spacers by inserting the wooden part (e) fully into the two ends (f), taking care there are no gaps. Use the supplied screw bit (m) to attach the screws (g)

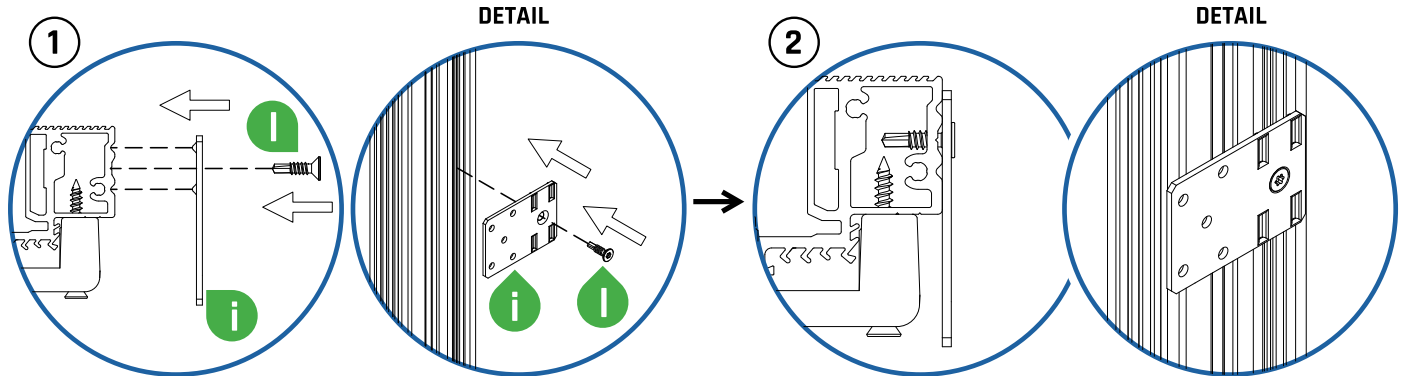
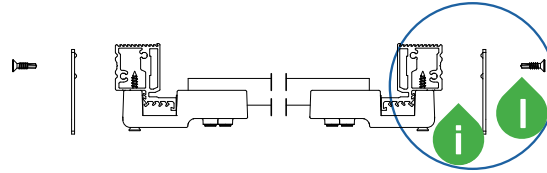


Fix the spacers to the verticals (a+b) by using the screws (h) into the existing holes on the frame as shown below.

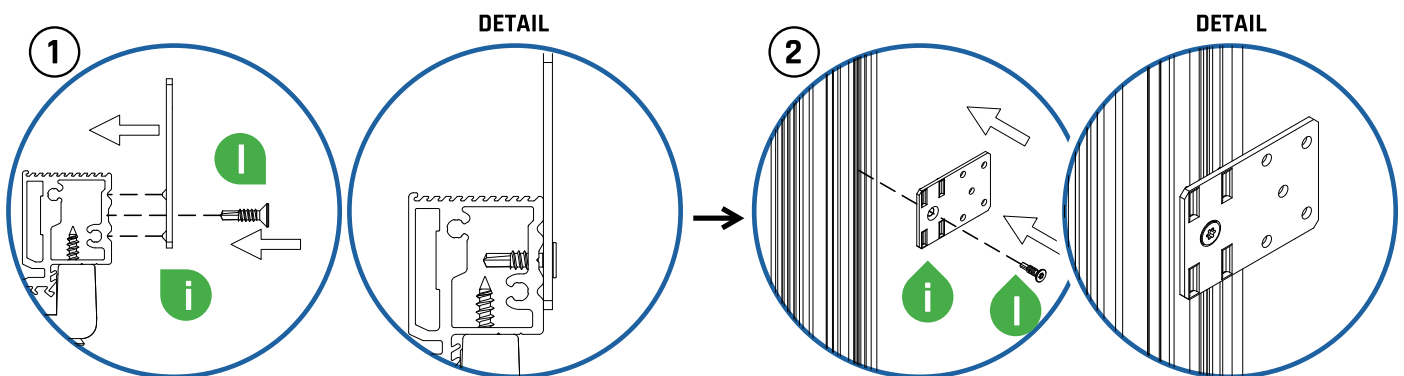
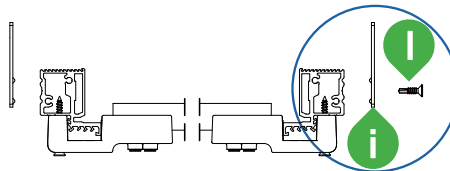


Attach the joining brackets (i) to the verticals (a+b) using the supplied self tapping screws (l). Brackets (i) should be equally spaced.

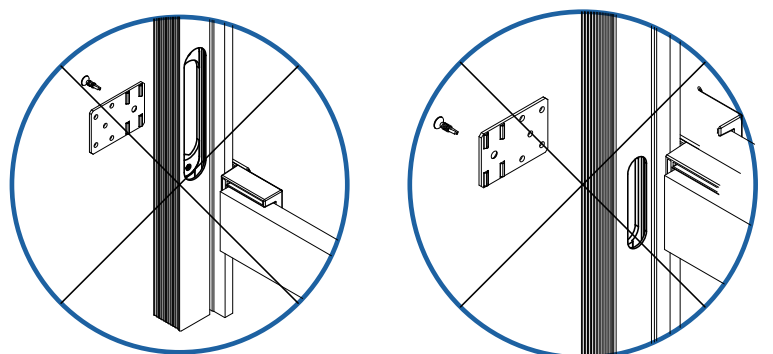
## PULL



## PUSH

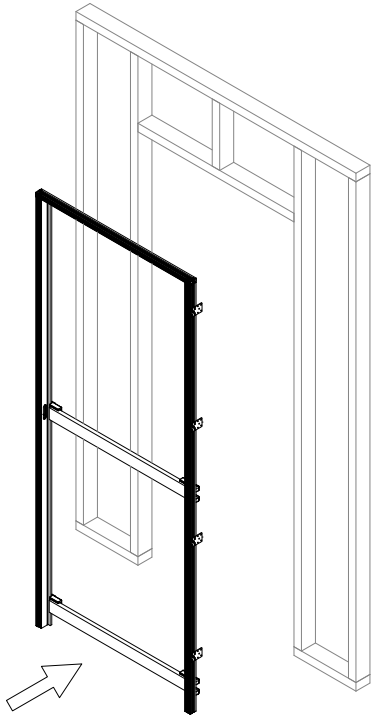


**ATTENTION:** do not position the brackets (i) at the hinges height

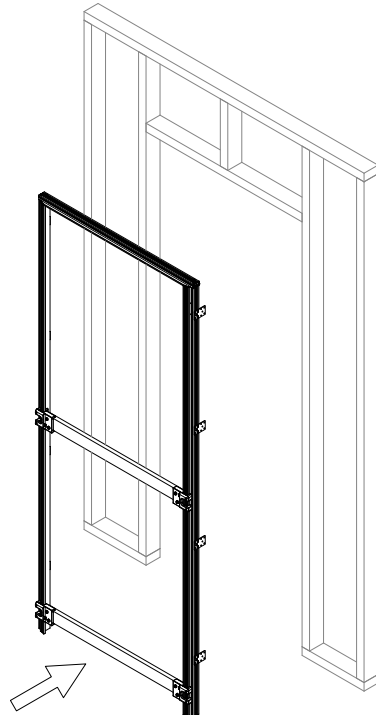


Place the frame into the studwork based on the chosen opening (push or pull).

**PULL**

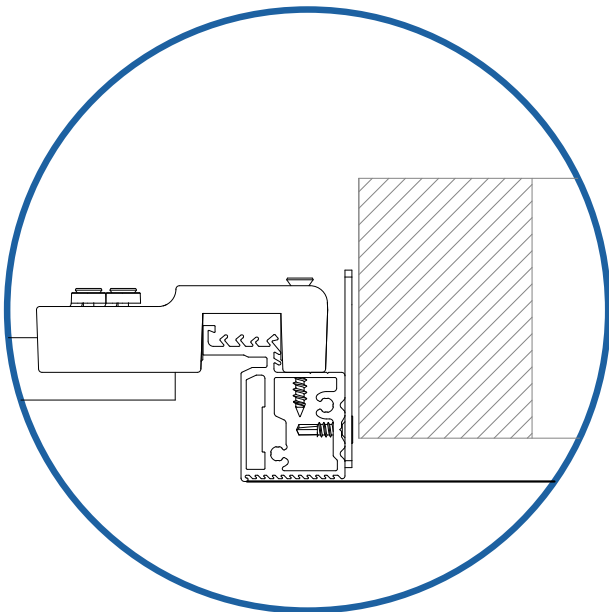


**PUSH**

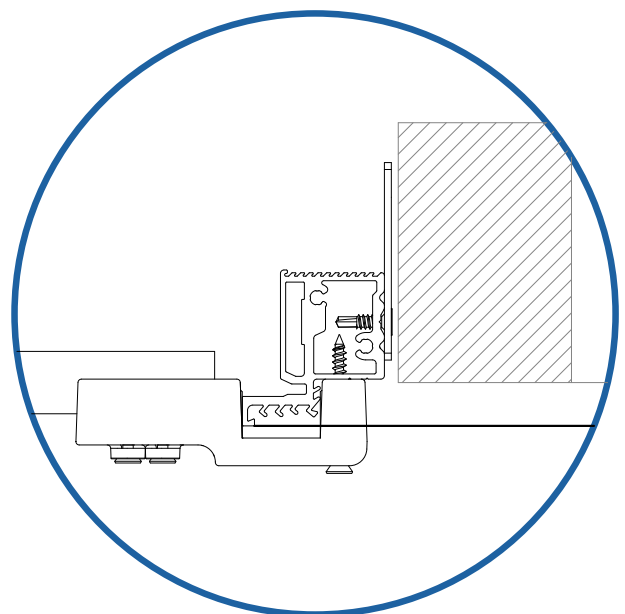


**ATTENTION:** make sure the frame is installed flush with the FINISHED wall level (including plasterboard)

**PULL**



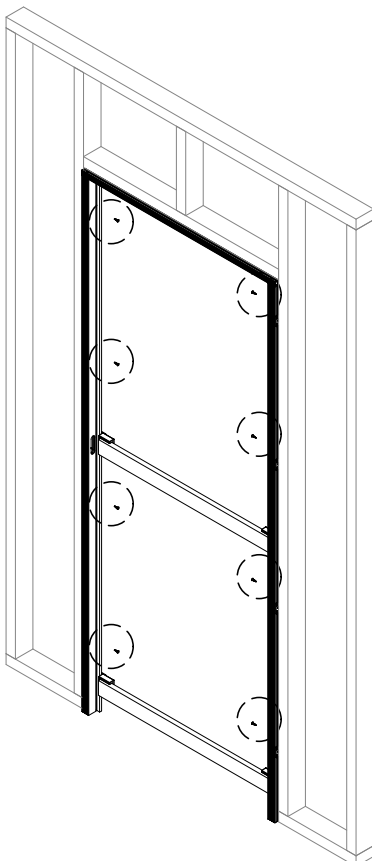
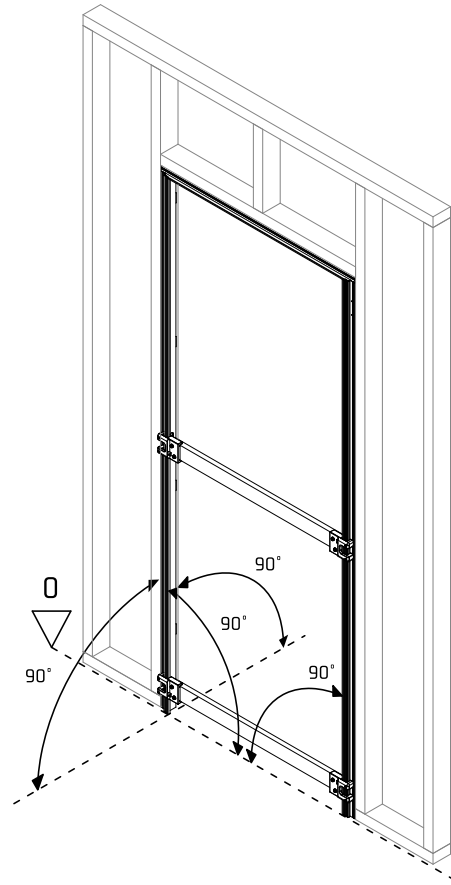
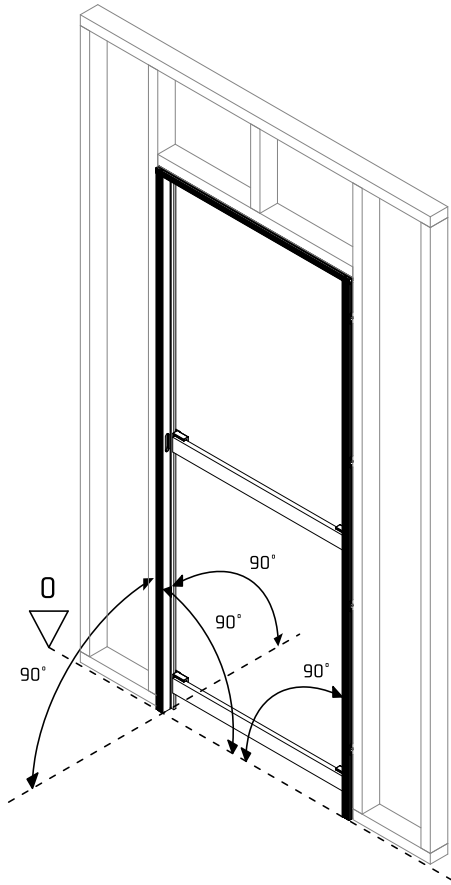
**PUSH**



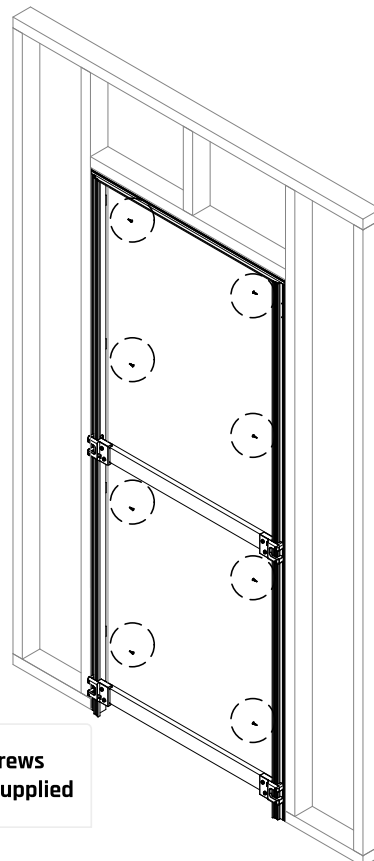
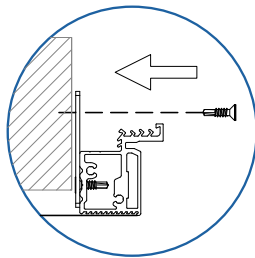
Make sure the frame is level and plumb and fix it to the studwork using brackets (i)

**PULL**

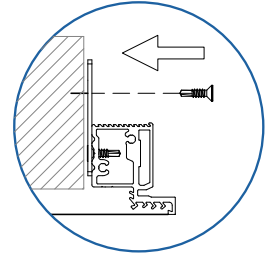
**PUSH**



**PULL**



**PUSH**

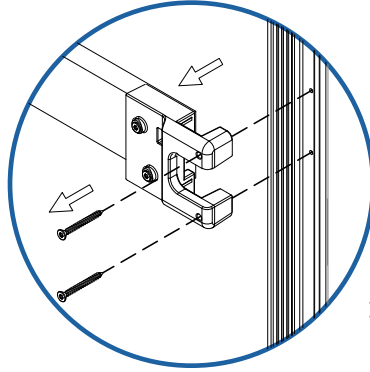
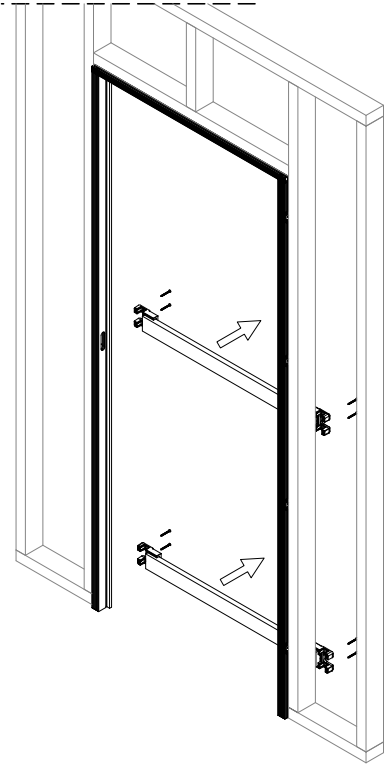


Fixing screws  
are not supplied

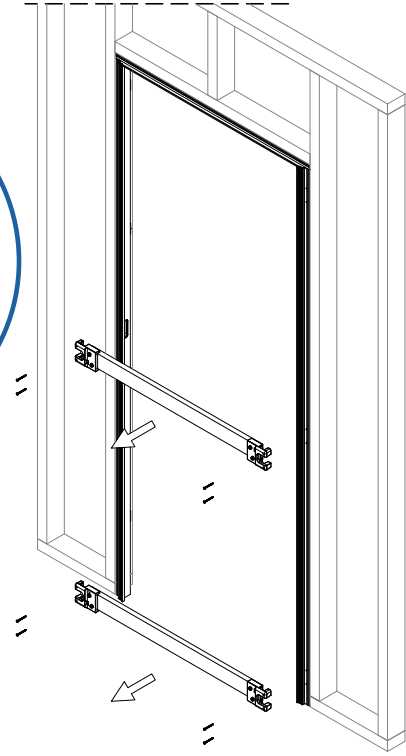


Once the frame is fixed, take off the spacers using the supplied screw bit (m)

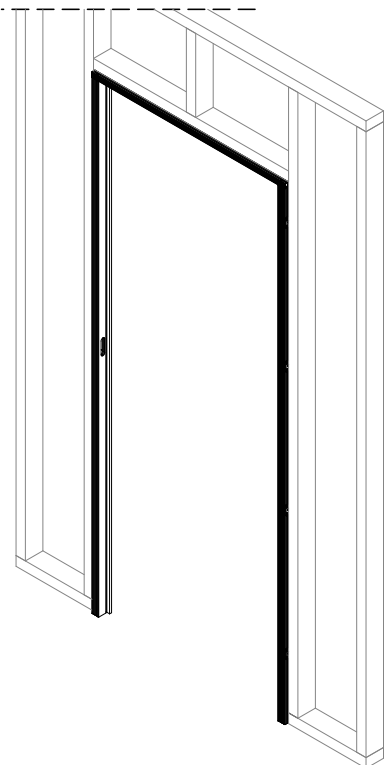
**PULL**



**PUSH**



**PULL**



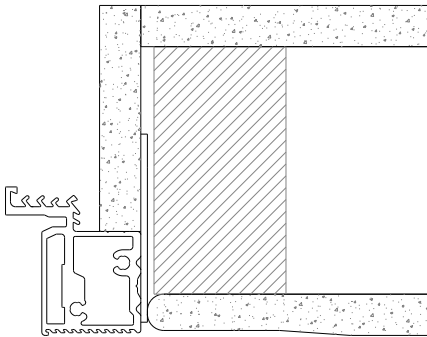
**PUSH**



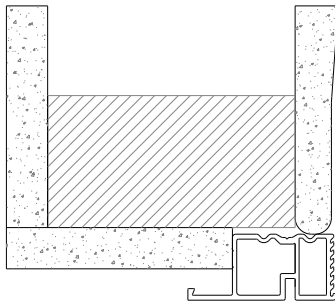
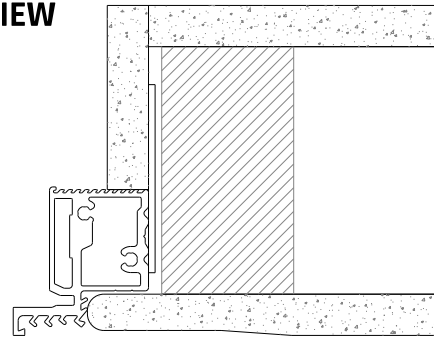
Install the plasterboard.

**PULL**

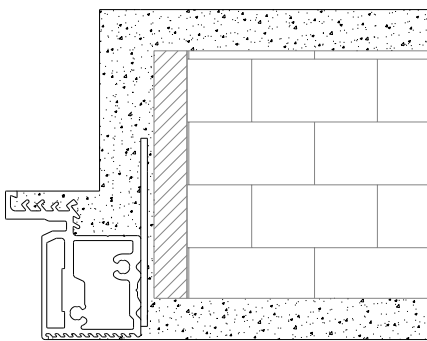
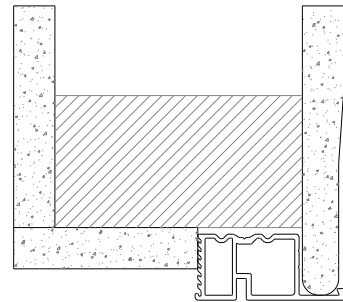
**PUSH**



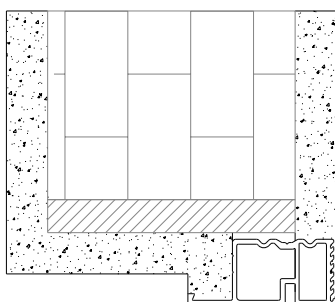
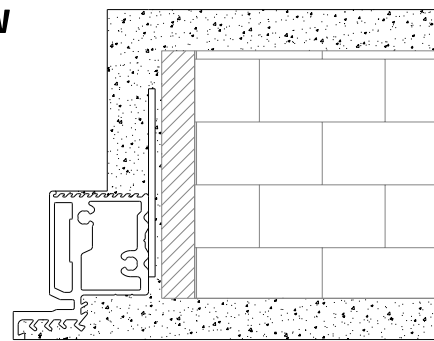
**PLASTERBOARD TOP VIEW**



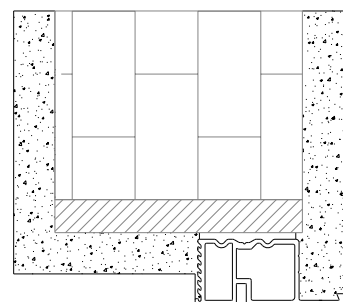
**PLASTERBOARD SIDE VIEW**



**MASONRY TOP VIEW**

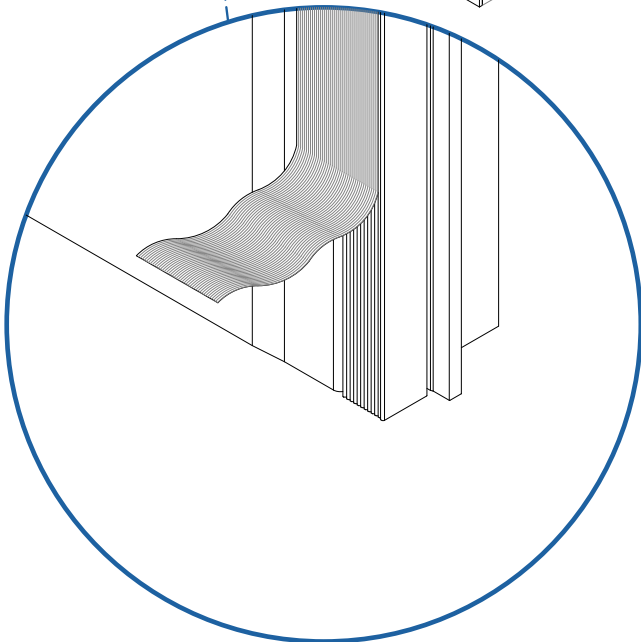
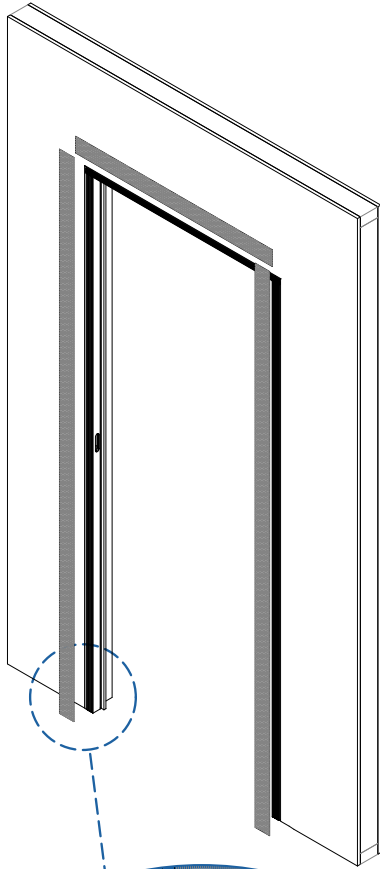


**MASONRY SIDE VIEW**

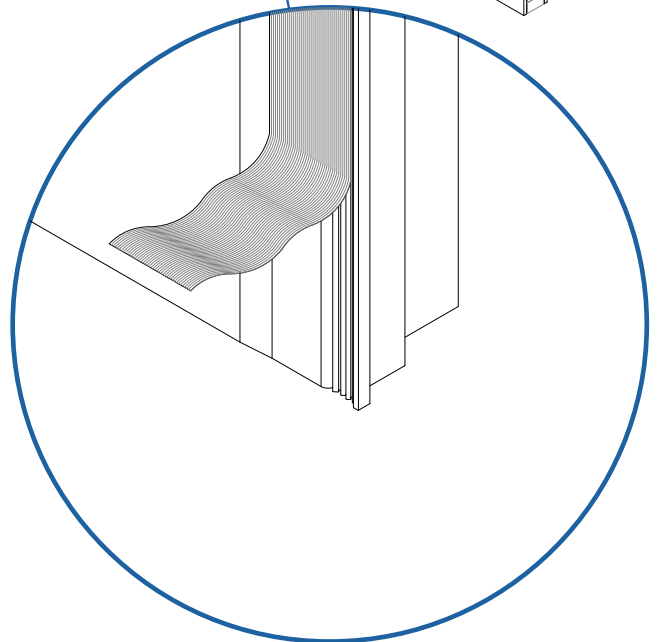
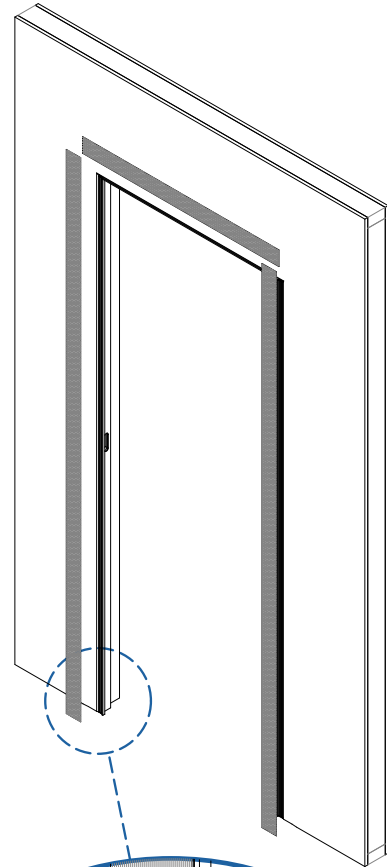


Apply fiberglass tape inbetween the frame and plasteboard, before plastering.

**PULL**



**PUSH**

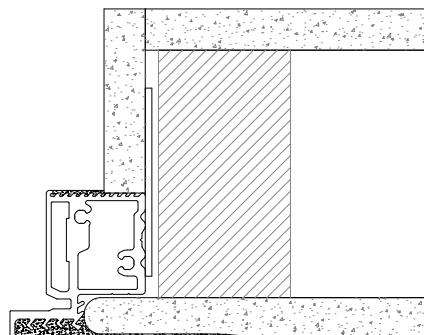
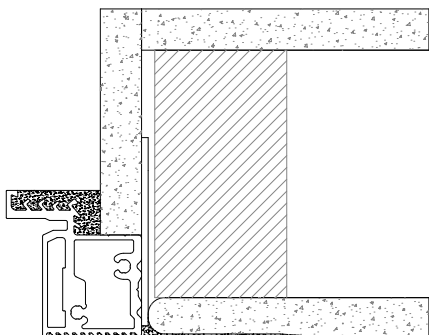


Plaster as shown below

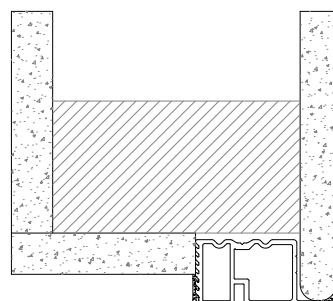
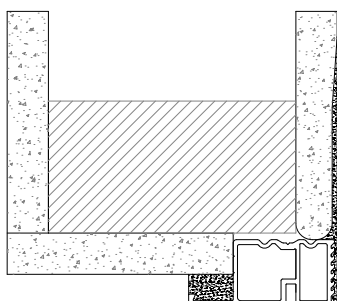
**PULL**

**PUSH**

**TOP VIEW**



**SIDE VIEW**



**Painting**

**Sand the frame  
to improve the paint's hold**  
(not mandatory)

**TOP VIEW**

**SIDE VIEW**

